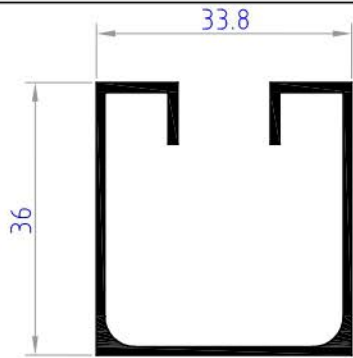
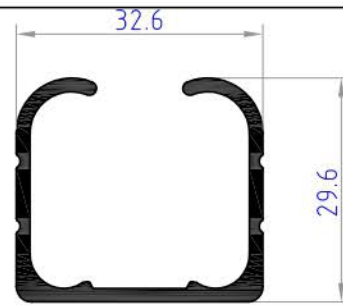


GLASS
PROFILES

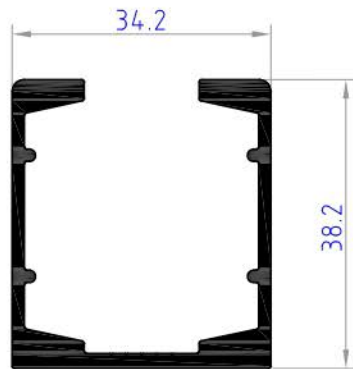
GLASS PROFILES



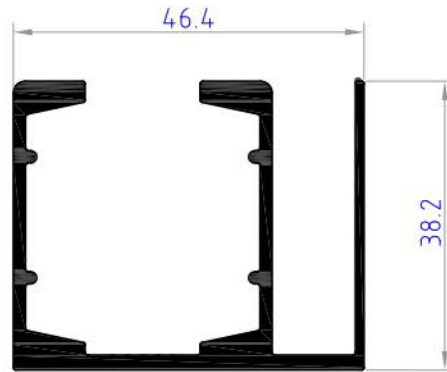
GP01
weight 0.471 kg/ml



GP02
weight 0.491 kg/ml



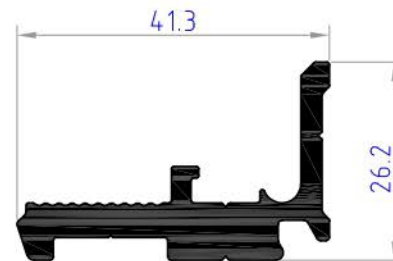
GP03
weight 0.754 kg/ml



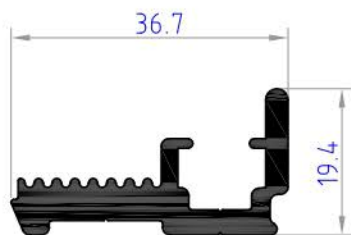
GP04
weight 0.998 kg/ml



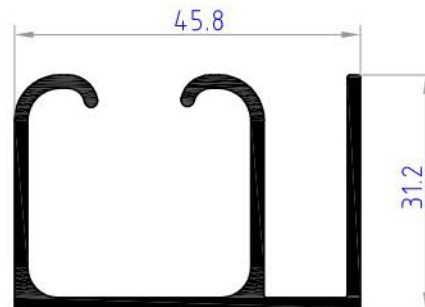
GP05
weight 0.163 kg/ml



GP06
weight 0.788 kg/ml

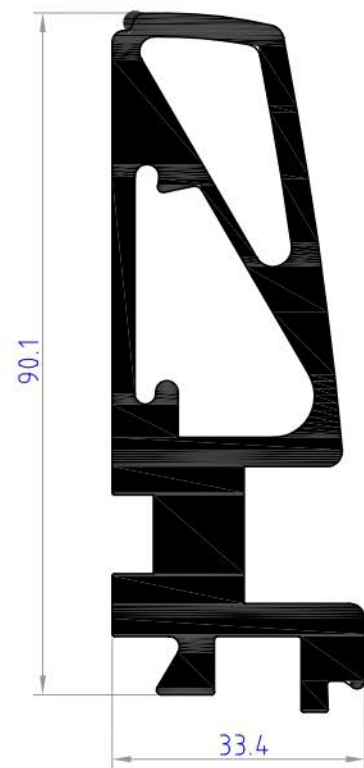
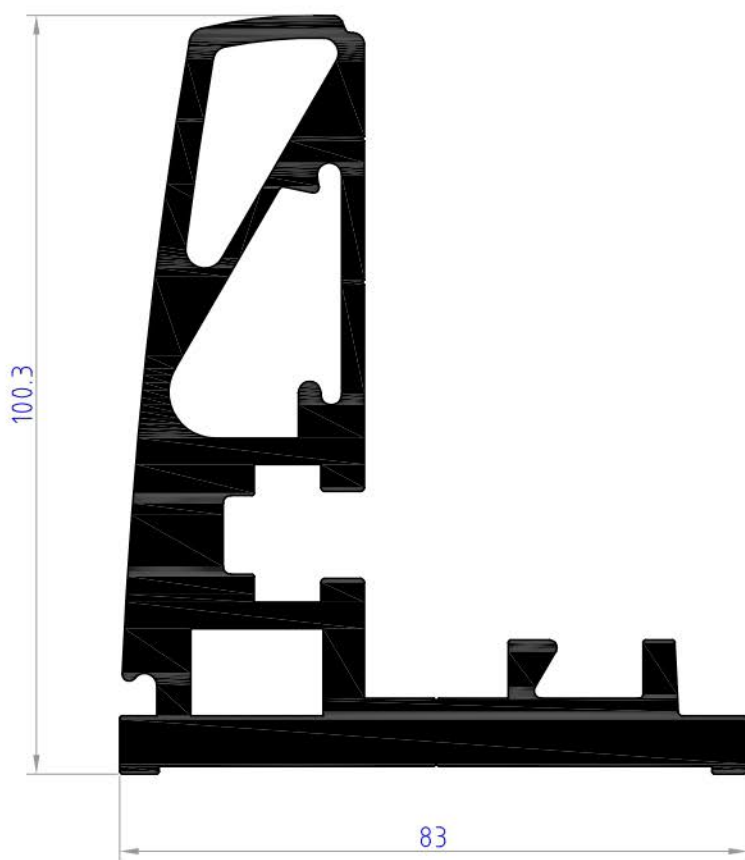
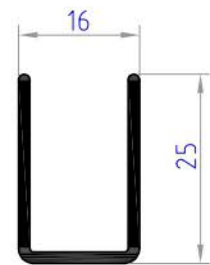
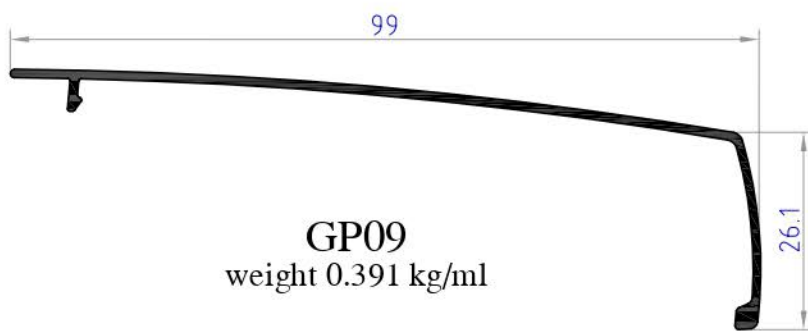


GP07
weight 0.593 kg/ml

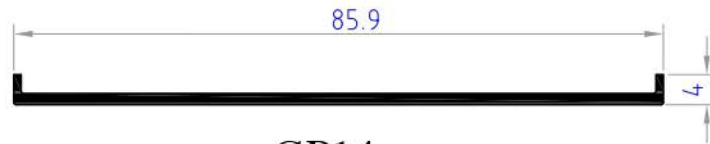


GP08
weight 0.688 kg/ml

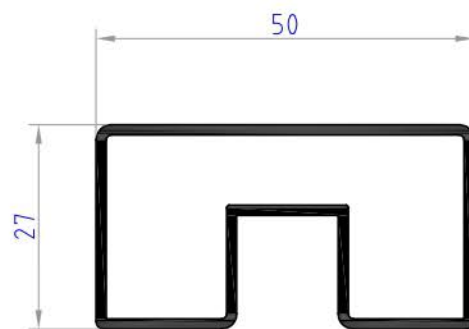
GLASS PROFILES



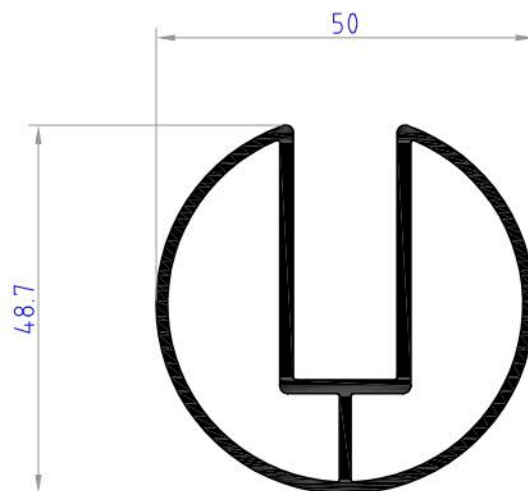
GLASS PROFILES



GP14
weight 0.341 kg/ml



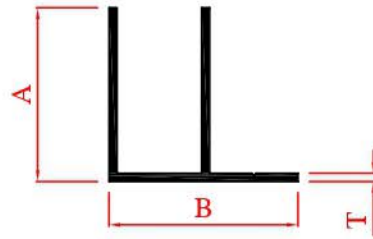
GP16
weight 0.642 kg/ml



GP17
weight 1.002 kg/ml

GLASS PROFILES

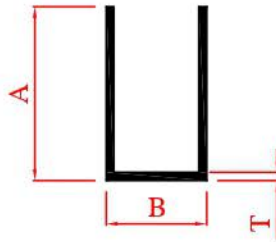
GLASS PROFILES



PROFILE NO.	A	B	T	WEIGHT Kg/ml
GP3308	33	25	0.9	0.205
GP3310	33	25	1.1	0.252
GP3312	33	25	1.3	0.300
GP3315	33	25	1.6	0.358
GP2310	23	25	1.1	0.200
GP2313	23	25	1.3	0.242
IF138	25	26	0.8	0.150

GLASS PROFILES

GLASS PROFILES



PROFILE NO.	A	B	T	WEIGHT Kg/ml
GP2213	21.8	13.7	1.4	0.200
GP3012	30	13.4	1.3	0.233
GP3027	30	27	2.0	0.441